



Section 6: Reels

General Information • Heavy Duty • Severe Duty • High Capacity • Shielded • Oxygen/Acetylene Heavy Duty Electric Cord • Standard Duty Electric Cord • Stainless Steel • Hand Crank Standard-Duty Light • Corrosion Resistant

Introduction

Alemite Reels are often considered the standard in the lubrication industry. Designed with the user in mind, our reels are continually tested and evaluated to ensure our customers are getting a reel they can count on. Alemite Reels are constructed using high-grade materials and assembled with utmost attention to quality.

Highly engineered to perform better, Alemite Reels are safer to maintain and operate. Our full line of reels meets the requirements of the most demanding industries. Used for a wide range of applications, Alemite Reels put lubricants and fluids within easy reach.

Alemite Reels Include:

- Heavy-Duty Reels
- Severe-Duty Reels
- High-Capacity Reels
- Shielded Reels (Enclosed)
- Oxygen/Acetylene Reels
- Heavy-Duty Electric Cord Reels
- Standard-Duty Electric Cord Reels
- Stainless Steel Reels
- Hand Crank Reels
- Standard-Duty Light Reels
- Corrosion Resistant Reels

107

For convenience, reel packages (include hoses and accessories) have been categorized under one product number. Bare reels, hoses and accessories can be ordered separately.

IMPORTANT INFORMATION

NOTE: For ceiling or stand-mounted hose reels, reel should not be installed at heights greater than 18' from the floor to provide optimal operation.

Hose Selection:

To select the proper hose or hose assembly, determine the following items:

- End fitting size and thread
- Inside diameter
- Hose length
- Materials of construction
- Working pressure
- Burst pressure

IMPORTANT INFORMATION

NOTE: Selecting a hose with the appropriate pressure rating is critical when using hoses with air-powered equipment where rapid pressure increases can occur.

Choose from the different hose types available:

- High-pressure coupled grease hose
- Medium-pressure coupled fluid hose
- Fuel hose
- Air/Water coupled hose
- Recoil air hose assemblies
- Welding hose

Section 6: Reels

General Information • Heavy Duty • Severe Duty • High Capacity • Shielded • Oxygen/Acetylene
 Heavy Duty Electric Cord • Standard Duty Electric Cord • Stainless Steel • Hand Crank
 Standard-Duty Light • Corrosion Resistant

General Information

Alemite Reels include:

| | |
|-----------------------------------------|------------|
| Heavy Duty | 109 |
| Severe Duty | 111 |
| High Capacity | 113 |
| Shielded..... | 115 |
| Oxygen/Acetylene | 116 |
| Heavy Duty Electric Cord..... | 117 |
| Standard Duty Electric Cord..... | 118 |
| Stainless Steel | 119 |
| Hand Crank..... | 120 |
| Standard Duty Light | 121 |
| Corrosion Resistant..... | 122 |
| See Also: | |
| Reels Accessories | 222 |



Section 6: Reels

General Information • **Heavy Duty** • Severe Duty • High Capacity • Shielded • Oxygen/Acetylene Heavy Duty Electric Cord • Standard Duty Electric Cord • Stainless Steel • Hand Crank Standard-Duty Light • Corrosion Resistant

Heavy-Duty Reels

Alemite Heavy-Duty Reels offer the durability and reliability to meet the demands of today's tough working conditions. These high-quality reels are ideal for virtually any application.



8078 series

FEATURES:

- Ratchet prevents lockup when hose is fully extended, eliminating the need to manually release the pawl at the reel
- Swivel and reel ball bearings reduce torque load on power spring for smooth retraction and durability
- Sealed bearings prevent contamination and minimize maintenance
- Factory lubricated one-piece power spring cassette makes installation safer and maintenance easier
- Heavy metal arbor design withstands extreme stress and eliminates breakage associated with non-metal and light metal arbors
- Five-position guide arm provides versatile floor, wall and ceiling mounting and allows hose to release at optimum position
- **Included Items:** Hose Reel, Hose, Hose Stop, Union, Connecting Hose and Accessories shown. Components may be purchased separately.

Compatibility: Water, air, oil, grease

Pressure Configuration: High, medium, low

Mounting: Wall, ceiling, floor, bench top, tank

Air/Water Reels

| Product # | Pressure | Bare Reel | Delivery Hose Spec. | Air Coupler | Air Adapter | Connecting Hose | Weight | Connecting Hose Inlet | Delivery Hose Outlet |
|-----------|----------|-----------|---------------------------|-------------|-------------|-----------------|--------|-----------------------|----------------------|
| 8078-E | 300 psi | 7336-B | 3/8" x 30' (317803-30) | 328030 | 328034 | 317811-2 | 51 lb. | 1/2" NPTF(m) | 1/4" NPTF(m) |
| 8078-F | 300 psi | 7336-B | 3/8" x 50' (317803-50) | 328030 | 328034 | 317811-2 | 53 lb. | 1/2" NPTF(m) | 1/4" NPTF(m) |
| 8078-M | 300 psi | 7335-B | 1/2" x 50' (317811-50) | 328031 | 328033 | 317811-2 | 61 lb. | 1/2" NPTF(m) | 1/2" NPTF(m) |

Section 6: Reels

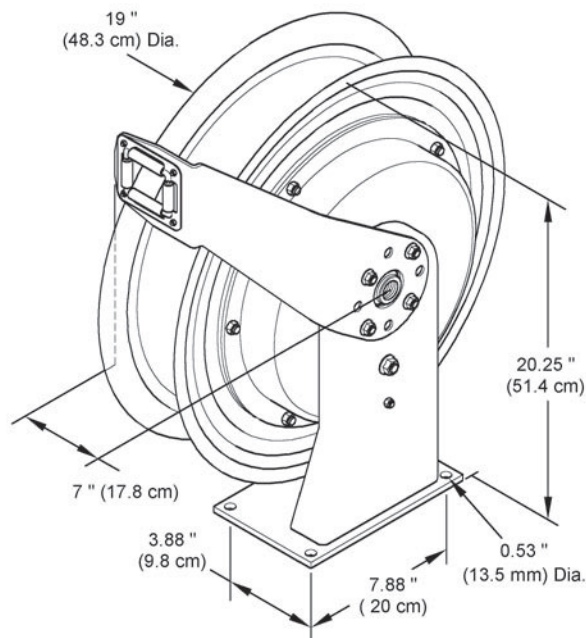
General Information • **Heavy Duty** • Severe Duty • High Capacity • Shielded • Oxygen/Acetylene Heavy Duty Electric Cord • Standard Duty Electric Cord • Stainless Steel • Hand Crank Standard-Duty Light • Corrosion Resistant

Heavy-Duty Reels

| Oil Reels | | | | | | |
|-----------|-----------|-----------|------------------------|--------|-----------------------|----------------------|
| Product # | Pressure | Bare Reel | Delivery Hose Spec. | Weight | Connecting Hose Inlet | Delivery Hose Outlet |
| 8078-C | 2,000 psi | 7335-B | 1/2" x 30' (317813-30) | 56 lb. | 1/2" NPTF(m) | 1/2" NPTF(m) |
| 8078-D | 2,000 psi | 7335-B | 1/2" x 50' (317813-50) | 58 lb. | 1/2" NPTF(m) | 1/2" NPTF(m) |

| Grease Reels | | | | | | |
|--------------|-----------|-----------|------------------------|--------|-----------------------|----------------------|
| Product # | Pressure | Bare Reel | Delivery Hose Spec. | Weight | Connecting Hose Inlet | Delivery Hose Outlet |
| 8078-A* | 6,000 psi | 7334-B | 1/4" x 30' (317874-30) | 56 lb. | 3/8" NPTF(m) | 1/4" NPTF(f) |
| 8078-B* | 6,000 psi | 7334-B | 1/4" x 50' (317874-50) | 59 lb. | 3/8" NPTF(m) | 1/4" NPTF(f) |

110



IMPORTANT INFORMATION
 * "Z" swivel must be ordered separately